

APPLY **KNIGHTSHIELD® 5100** ONTO EXISTING PARAPET COMPLETELY SEALING ALL EXPOSED SURFACE AREAS

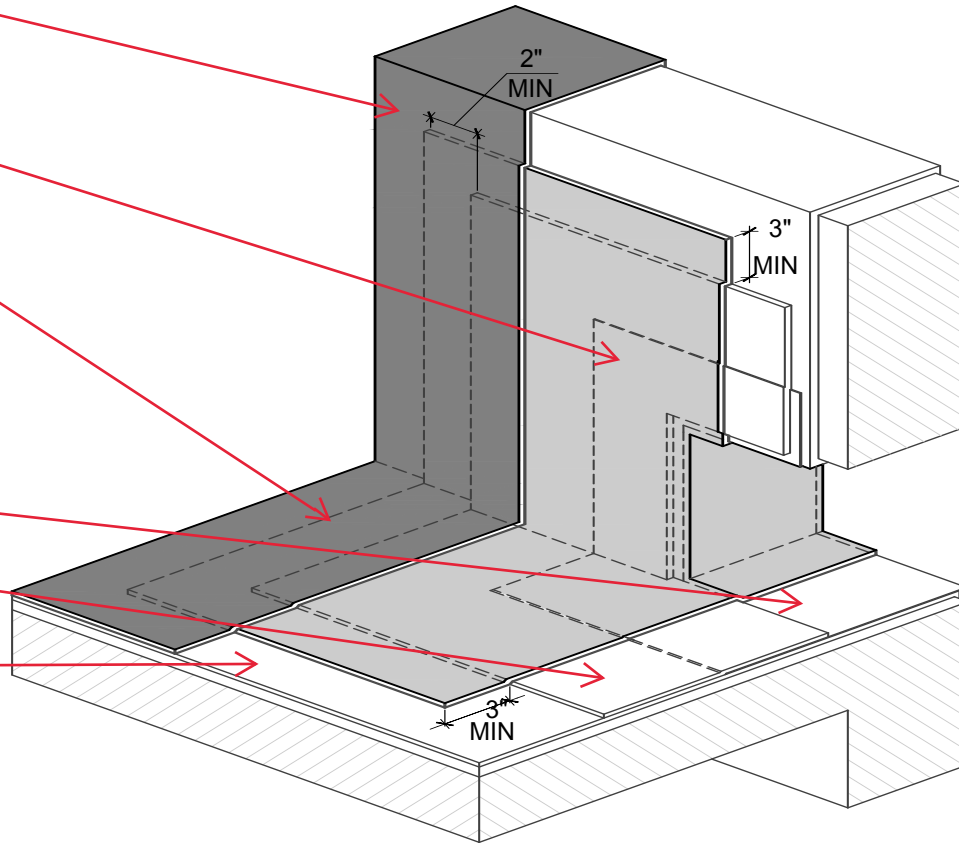
PRETREAT SCUPPER AND CORNER AT UPTURN PRIOR TO **KNIGHTSHIELD® 5100** COATING INSTALLATION USING: **KNIGHTSHIELD® 5600** SEALANT AT: (125 WET MILS)

**KNIGHTSHIELD® 5900**  
(BLEED-BLOCKING PRIMER REQUIRED FOR EXISTING ASPHALT ROOF SYSTEMS - SEE NOTE #2)

EXISTING SCUPPER METAL FLASHING

EXISTING SCUPPER FLASHING

EXISTING PREVIOUSLY COATED OR NON-COATED ROOFING ASSEMBLY



**NOTES:**

1. DETAIL SHOWS **KNIGHTSHIELD® 5100** INSTALLED OVER AN EXISTING OR COATED METAL ROOFING ASSEMBLY. ACCEPTABLE SUBSTRATES INCLUDE GRANULATED OR SMOOTH SURFACED MODIFIED BITUMEN (MB), SMOOTH SURFACED ASPHALT BUILT-UP ROOFING (BUR), AGED EPDM, PVC, OR TPO.
2. INSTALL **KNIGHTSHIELD® 5900** BLEED-BLOCKING PRIMER ONTO EXISTING MB/BUR ROOF PRIOR TO FLASHING OR APPLYING COATING.
3. COMPLETE ALL DETAILS PRIOR TO APPLYING **KNIGHTSHIELD® 5100**
4. **REFER TO KNIGHTSHIELD® 5100** APPLICATION GUIDELINES FOR RECOMMENDED INSTALLATION PROCEDURES.
5. REFER TO **KNIGHTSHIELD® 5100** WARRANTY CHART FOR SUBSTRATE SPECIFIC FIELD COATING MINIMUM REQUIREMENTS.
6. DECK AND EXISTING ROOF ASSEMBLY SHOWN ARE FOR REFERENCE ONLY.

**W. R. MEADOWS INC.**

300 INDUSTRIAL DR.  
HAMPSHIRE, IL 60140-0338  
1-800-342-5976



TITLE:

**KNIGHTSHIELD COATING @ WALL SCUPPER**

NOTE: DETAIL IS A GUIDE FOR INSTALLATIONS OF W. R. MEADOWS PRODUCTS ONLY. DETAIL MUST BE REVIEWED AND VERIFIED BY A DESIGN PROFESSIONAL FOR SUITABILITY ON THE PROJECT. W. R. MEADOWS DOES NOT ASSUME RESPONSIBILITY FOR ERRORS IN DESIGN OR ENGINEERING.

SCALE: NTS  
DWG NO.: KS-06

MAR 4, 2024